



T100

1 Tonne Tow Tractor

24 volt DC controller

3 Wheels

Cabbed & Un-cabbed

BRADSHAW
ELECTRIC • VEHICLES

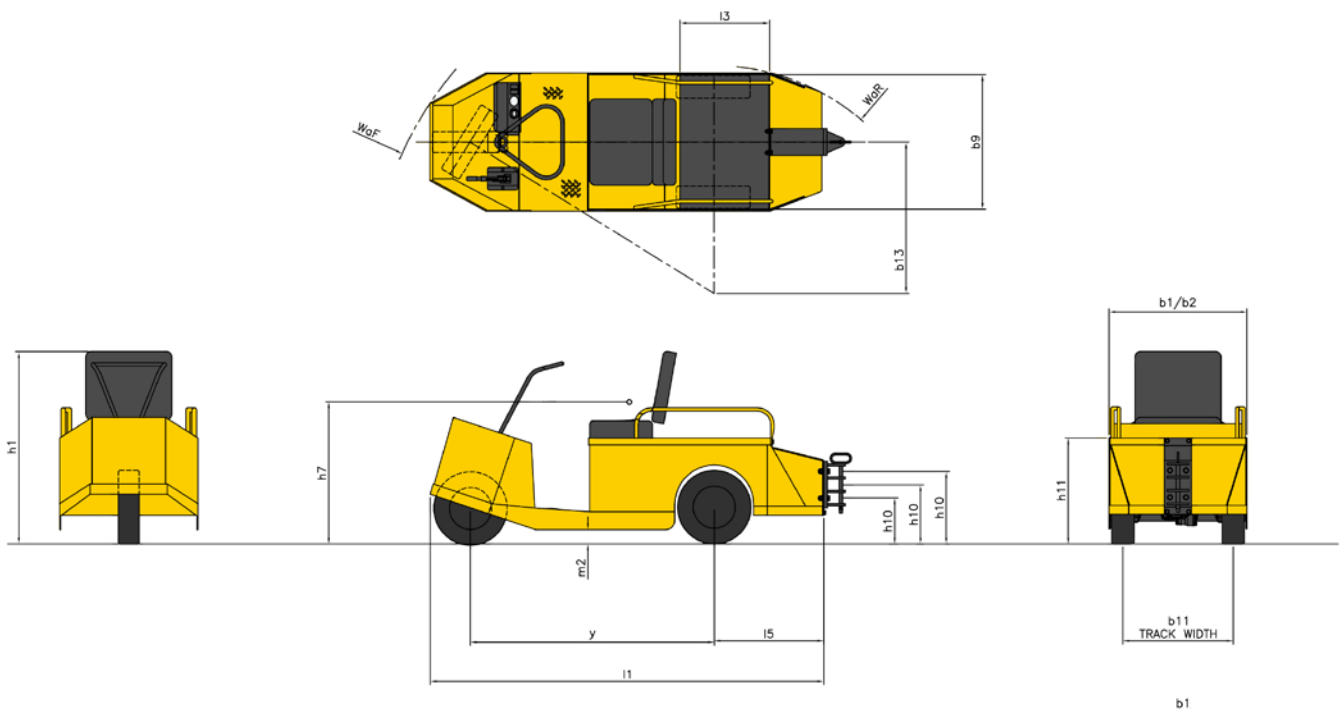
STANDARD EQUIPMENT & OPTIONS

	MODEL	T100
VEHICLE OVERVIEW	Configuration	3 wheel
	Power unit: 24 volt DC controller	•
	Tow load capacity*	1000kg
	Payload capacity	272kg
	Suspension front and rear	•
	Welded steel chassis, painted	•
	Rear drive axle with limited slip differential	•
	Standard ambient operating temperatures -10 to +40	•
BATTERIES	24v 185Ah lead acid (4 x 6volt monobloc linked in series)	○
	24v 154Ah gel maintenance free (4 x 6 volt monobloc linked in series)	○
	On board charger	•
BRAKING	Mechanical brake on rear axle	•
	Independent hand operated park brake	•
LIGHTING / ACCESSORIES	Single headlight	•
	Lighting upgrade includes <ul style="list-style-type: none"> • Single headlight • Side lights • Twin tail and brake lights • Indicators • Hazard warning lights • Single reverse light • 7 pin trailer socket (Cabbed option includes high level rear lighting)	○
	Amber flashing beacon mounted on pole or cab	•
	Blue spot warning light - front only	○
	Blue spot warning light - front & rear	○
	Rear mounted working light	○
CONTROLS / AUDIBLE WARNINGS	Maximum speed 14kph	•
	SR400 electronic speed limiter allows maximum speed to be limited to meet site requirement - please specify speed setting at time of order	○
	Full controller change to include <ul style="list-style-type: none"> • Electronic braking under de-acceleration • Electronic speed limiter allows maximum speed to be limited to meet site requirement - please specify speed at time of order 	○
	Safety foot switch	○
	Emergency stop button	•
	Horn	•
	Automatic audible warning in reverse	•
	Automatic white noise audible warning in forward	○
INSTRUMENTS	Battery discharge indicator	•
	Hour meter	•
	Keypad in place of standard key switch	○
TYRES	4.00 x 8 pneumatic	•
	4.00 x 8 (PPS) pneumatic profiled soft solid puncture proof	○
	4.00 x 8 (PPS) pneumatic profiled soft solid puncture proof non marking	○
TOW HITCH	No tow hitch fitted	○
	20mm pin multi jaw tow hitch	•
	25mm pin multi jaw tow hitch	○
	Combined 50mm ball and 25mm single jaw	○
	50mm ball tow hitch	○
	50mm ball adapter fits in any one of the three jaws on the standard tow hitch	○
	Tow hitch specific for site requirement	○

	MODEL	T100
CAB	Un-cabbed	○
	Steel cab no doors	○
	Steel cab PVC roll up weather proof doors	○
	Front wiper (cab option only)	●
	Rear wiper (cab option only)	○
	Screen wash system for front screen only (cab option only)	○
	Screen wash system for front and rear screen, must be ordered with rear wiper (cab option only)	○
SEATING	Single drivers seat	●
	Upgraded to full suspension vinyl drivers seat with arm rests	○
	Inertia lap seat belt	○
	High visibility inertia lap seat belt fitted with interlock	○
MIRRORS	Interior mirrors (cab option only)	●
	Exterior mirrors (cab option only)	●
	Large extendible exterior mirrors (cab option only)	○
	Interior fish eye mirror (cab option only)	○
LOAD BED	Payload capacity	272kg
	Dimensions (LxWxH mm)	495 x 762 x 609
	Rear two passenger seat conversion, Includes: Rear bench seat complete with double width inertia lap seat belt , Low step height, Three sided semi-glazed enclosure, Grab handles and drop down rear safety bar	○
MISC	1kg dry powder fire extinguisher	○
COLOUR	Chassis / panels: Safety Yellow BS356	●
	Custom colour. Panels to customer's single colour specification. RAL number to be supplied at time of order	○

TECHNICAL SPECIFICATIONS

T101-01 UN-CABBED TOW TRACTOR



TECHNICAL DATA

VDI 2198	TECHNICAL FEATURES		T101-01	T103-01
DISTINGUISHING MARK	1.1	Manufacturer (abbreviation)	BEV	BEV
	1.2	Manufacturer's type designation	T101-01	T103-01
	1.3	Drive: electric (battery or mains), diesel, petrol, fuel gas	Battery	Battery
	1.4	Operator type: hand, pedestrian, standing, seated, order-picker	Seated	Seated
	1.5	Rated capacity tow / load ⁽¹⁾	Q (t)	1 / 0.227
	1.7	Rated drawbar pull	F (N)	200
	1.9	Wheelbase	y (mm)	1360
WHEELS / TYRES	3.1	Tyres: P=Pneumatic	P	P
	3.2	Tyre size, front	ø x width (mm)	415 x 120
	3.3	Tyre size, rear	ø x width (mm)	415 x 120
	3.5	Wheels, number front / rear (x = driven wheels)		1 / 2X
	3.7	Tread / track width, rear	b 11 (mm)	615
	3.9	Wheels braked service brake, number		2 x Rear
	3.10	Wheels braked parking brake		2 x Rear
DIMENSIONS	4.2.1	Overall height (excluding beacon)	h 1 (mm)	1041
	4.7	Height of overhead guard (cabin)	h 6 (mm)	-
	4.8	Seat height relating to SIP / stand height	h 7 (mm)	790
	4.12	Coupling height	h 10 (mm)	256 / 330 / 404
	4.13	Loading height, unladen	h 11 (mm)	590
	4.16	Length of loading surface	l 3 (mm)	495
	4.17	Overhang	l 5 (mm)	610
	4.18	Width of loading surface	b 9 (mm)	737
	4.19	Overall length	l 1 (mm)	2197
	4.21	Overall width	b 1 / b 2 (mm)	762
	4.32	Ground clearance, centre of wheelbase	m 2 (mm)	90
	4.35	Turning radius	W a F (mm)	1905
	4.35	Turning radius	W a R (mm)	1269
4.36	Internal turning radius	b 13 (mm)	843	
PERFORMANCE	5.1	Travel speed, laden / unladen	km/h	5 / 16
	5.6	Max drawbar pull, laden / unladen	N	600
	5.8	Max. gradeability, laden / unladen	%	5 / 15
	5.10	Service brake		Mechanical Brake
DRIVE	8.1	Type of drive unit		DC Motor
	8.10	Transfer of power		Helical Gears
	8.11	Service brake		Mechanical Brake
	8.12	Parking brake		Mechanical Brake on Rear
MISC	10.7	Sound pressure level at the driver's seat	dB (A)	<50

BATTERY SIZE & VEHICLE WEIGHTS			T101-01 UN-CABBED		T103-01 CABBED	
BATTERY		Battery type	Lead	Gel MF	Lead	Gel MF
	6.1	Drive motor S2 60 minute rating (kW)	1.13	1.13	1.13	1.13
	6.4	Battery voltage (V/Ah)	24 / 185	24 / 154	24 / 185	24 / 154
	6.5	Battery weight (kg)	112	124	112	124
WEIGHTS	2.1.1	Service weight excluding battery (kg)	220	220	245	245
	2.1.0	Service weight including battery (kg)	332	344	357	369
	2.3	Axle loading, unladen front / rear (kg)	87 / 245	91 / 253	97 / 260	101 / 268

NOTE
 These values may vary +/- 5%. ⁽¹⁾It is our recommendation that braked trailers are used for trailer loads exceeding 500kg on level ground and for all trailer loads when operating on a gradient. Performance is affected by both the condition of the vehicle and towed equipment, as well as the surface and weather conditions within the operating area. ⁽²⁾Based on 200N/tonne rolling resistance on a level dry surface.



BRADSHAW ELECTRIC VEHICLES

New Lane
Stibbington
Peterborough
PE8 6LW

enquiries@bradshawev.com
www.bradshawEV.com
01780 782 621

All data and specifications are in accordance with information available at the time of publication and are subject to change without notice.

Some of the vehicles shown are may be fitted with optional equipment or accessories that are available at extra cost.

This brochure supersedes all previous publications.
Issue: July 2020

BRADSHAW
ELECTRIC • VEHICLES