



PLATFORM TRAILERS

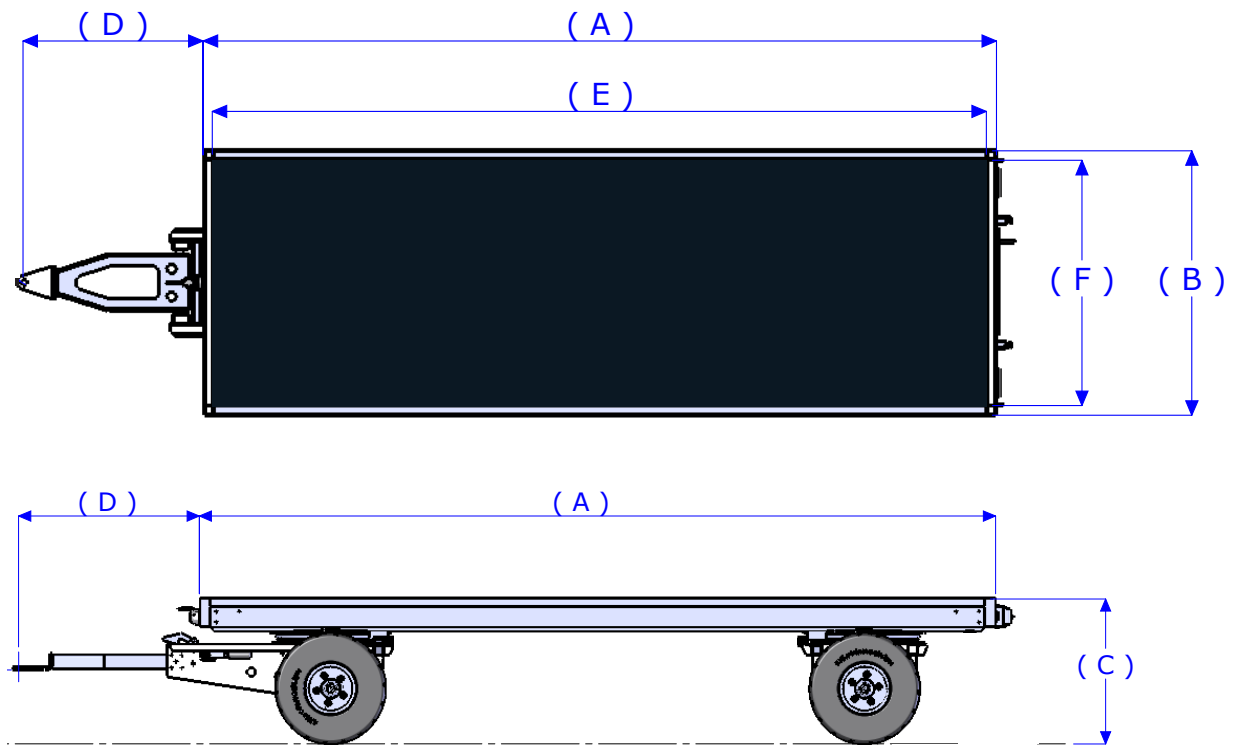
Single Steer

1000, 1500kg, 3000kg, 5000kg Capacity

Pick-up sides, Cage Body, Black PVC Tilt Cover, PVC sliding curtains

BRADSHAW
ELECTRIC • VEHICLES

4 WHEEL PLATFORM TRAILER SINGLE TURNTABLE STEERING



4 Wheel Platform Trailer - Single turntable steering

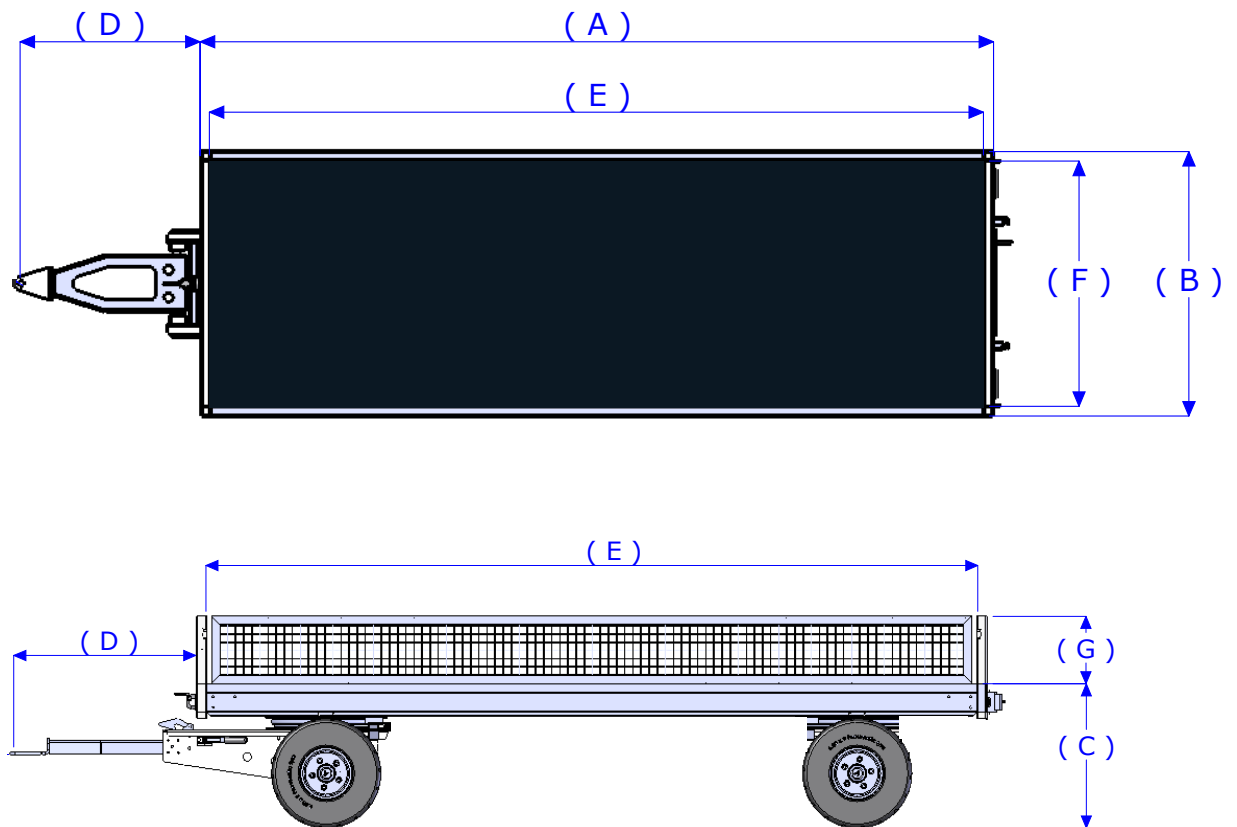
CAPACITY KG	PLATFORM SIZE	LENGTH (A)	WIDTH (B)	PLATFORM HEIGHT (C)	DRAW BAR LENGTH (D)	DRAW BAR LENGTH (WITH OPTIONAL OVERRUN BRAKES) (D)	PRODUCT CODE
1000	1880 x 980	1880mm	980mm	500mm	800mm	N/A	4PS1000/1809-01
	2080 x 1080	2080mm	1080mm	500mm	800mm	N/A	4PS1000/2010-01
1500	2580 x 1180	2580mm	1180mm	520mm	950mm	1100mm	4PS1500/2511-01
	2580 x 1380	2580mm	1380mm	520mm	950mm	1100mm	4PS1500/2513-01
	3130 x 1180	3130mm	1180mm	520mm	950mm	1100mm	4PS1500/3111-01
	3130 x 1380	3130mm	1380mm	520mm	950mm	1100mm	4PS1500/3113-01
3000	3130 x 1180	3130mm	1180mm	690mm*	950mm	1100mm	4PS3000/3111-01
	3130 x 1380	3130mm	1380mm	690mm*	950mm	1100mm	4PS3000/3113-01
	3280 x 1380	3280mm	1380mm	690mm*	950mm	1100mm	4PS3000/3213-01
	3780 x 1380	3780mm	1380mm	690mm*	950mm	1100mm	4PS3000/3713-01
5000	3130 x 1380	3130mm	1380mm	750mm	950mm	1100mm	4PS5000/3113-01
	3780 x 1380	3780mm	1380mm	750mm	950mm	1100mm	4PS5000/3713-01

* Low profile tyre option on 3000kg models reduces platform height to 560mm

STANDARD EQUIPMENT & OPTIONS

CAPACITY		1000	1500	3000	5000
BODY SPECIFICATIONS	Single turntable steering, fixed rear axle	●	●	●	●
	Mild steel box section chassis, frame and cross members	●	●	●	●
	Hot dipped galvanized finish	●	●	●	●
	15mm think resin coated non-dip buffalo decking board	●	●	●	●
BRAKES	No brakes / unbraked front & rear axle	●	-	-	-
	Hand operated park brake to front axle	○	●	●	●
	Two wheel overrun brake system to front wheels only. Includes <ul style="list-style-type: none"> Hand operated park brake Adjustable sprung draw bar 	-	○	●	●
	Four wheel overrun brake system to both front and rear wheels includes <ul style="list-style-type: none"> Hand operated park brake Adjustable sprung draw bar 	-	○	○	○
DRAW BAR	Hinged A Frame drawbar complete with 30mm towing eye	●	●	●	-
	Hinged A Frame drawbar complete with 50mm towing eye	-	-	○	●
	Hinged A Frame drawbar complete with 50mm ball coupling	○	○	○	-
	Adjustable sprung draw bar. Height can be adjusted to suit auto hitching (Standard when optional overrun braking system is selected)	-	○	●	●
WHEELS & TYRES	4.00 x 8 - 6 ply pneumatic tyres 1 piece rim	●	-	-	-
	4.00 x 8 - 6 ply puncture proof tyres (form filled) 1 piece rim	○	-	-	-
	4.00 x 8 - 10 ply pneumatic tyres 2 piece split rim	-	●	-	-
	4.00 x 8 - 10 ply puncture proof tyres (form filled) 2 piece split rim	-	○	-	-
	6.00 x 9 pneumatic tyres 2 piece split rim	-	-	●	●
	6.00 x 9 puncture proof tyres (foam filled) 2 piece split rim	-	-	○	○
	140 x 55-9 low profile (PPS) pneumatic profiled soft solid puncture proof 2 piece split rim (Reduces platform height from 690mm to 560mm)	-	-	○	-
REAR LIGHTS	LED lights through 7 pin trailer plug includes <ul style="list-style-type: none"> Stop Tail Indicators 	○	○	○	○
MISC	3mm checker plate aluminium platform overlay	○	○	○	○
	Single Jaw rear 25mm pin tow hitch	○	○	○	○

4 WHEEL PLATFORM TRAILER COMPLETE WITH PICK-UP SIDES SINGLE TURNTABLE STEERING



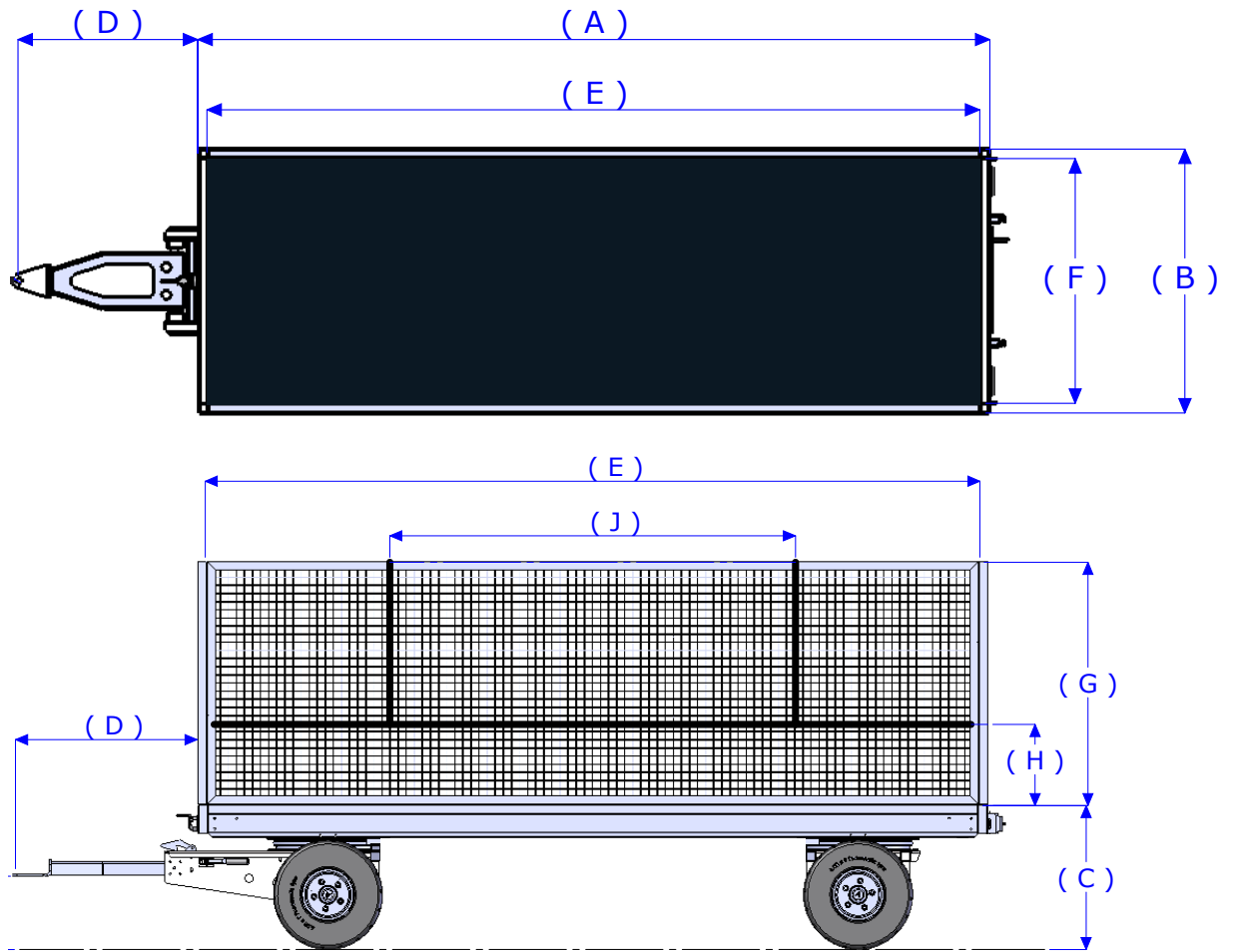
CAPACITY KG	PLATFORM SIZE (A) X (B)	INTERNAL LENGTH (E)	INTERNAL WIDTH (F)	PLATFORM HEIGHT (C)	BODY HEIGHT (G)	DRAW BAR LENGTH (D)	DRAW BAR LENGTH (WITH OPTIONAL OVERRUN BRAKES) (D)	PRODUCT CODE
1000	1880 x 980	1800mm	900mm	500mm	330mm	800mm	N/A	4PS1000/1809-02
	2080 x 1080	2000mm	1000mm	500mm	330mm	800mm	N/A	4PS1000/2010-02
1500	2580 x 1180	2500mm	1100mm	520mm	330mm	950mm	1100mm	4PS1500/2511-02
	2580 x 1380	2500mm	1300mm	520mm	330mm	950mm	1100mm	4PS1500/2513-02
	3130 x 1180	3050mm	1100mm	520mm	330mm	950mm	1100mm	4PS1500/3111-02
	3130 x 1380	3050mm	1300mm	520mm	330mm	950mm	1100mm	4PS1500/3113-02
3000	3130 x 1180	3050mm	1100mm	690mm*	330mm	950mm	1100mm	4PS3000/3111-02
	3130 x 1380	3050mm	1300mm	690mm*	330mm	950mm	1100mm	4PS3000/3113-02
	3280 x 1380	3200mm	1300mm	690mm*	330mm	950mm	1100mm	4PS3000/3213-02
	3780 x 1380	3700mm	1300mm	690mm*	330mm	950mm	1100mm	4PS3000/3713-02
5000	3130 x 1380	3050mm	1300mm	750mm	330mm	950mm	1100mm	4PS5000/3113-02
	3780 x 1380	3700mm	1300mm	750mm	330mm	950mm	1100mm	4PS5000/3713-02

* Low profile tyre option on 3000kg models reduces platform height to 560mm

STANDARD EQUIPMENT & OPTIONS

CAPACITY		1000	1500	3000	5000
BODY SPECIFICATIONS	Single turntable steering, fixed rear axle	•	•	•	•
	Mild steel box section chassis, frame and cross members	•	•	•	•
	Hot dipped galvanized finish	•	•	•	•
	15mm think resin coated non-dip buffalo decking board	•	•	•	•
	330mm high mesh fixed front and rear bulk head with hinged side panels	•	•	•	•
BRAKES	No brakes / unbraked front & rear axle	•	-	-	-
	Hand operated park brake to front axle	○	•	•	•
	Two wheel overrun brake system to front wheels only. Includes <ul style="list-style-type: none"> • Hand operated park brake • Adjustable sprung draw bar 	-	○	•	•
	Four wheel overrun brake system to both front and rear wheels includes <ul style="list-style-type: none"> • Hand operated park brake • Adjustable sprung draw bar 	-	○	○	○
DRAW BAR	Hinged A Frame drawbar complete with 30mm towing eye	•	•	•	-
	Hinged A Frame drawbar complete with 50mm towing eye	-	-	○	•
	Hinged A Frame drawbar complete with 50mm ball coupling	○	○	○	-
	Adjustable sprung draw bar. Height can be adjusted to suit auto hitching (Standard when optional overrun braking system is selected)	-	○	•	•
WHEELS & TYRES	4.00 x 8 - 6 ply pneumatic tyres 1 piece rim	•	-	-	-
	4.00 x 8 - 6 ply puncture proof tyres (form filled) 1 piece rim	○	-	-	-
	4.00 x 8 - 10 ply pneumatic tyres 2 piece split rim	-	•	-	-
	4.00 x 8 - 10 ply puncture proof tyres (form filled) 2 piece split rim	-	○	-	-
	6.00 x 9 pneumatic tyres 2 piece split rim	-	-	•	•
	6.00 x 9 puncture proof tyres (foam filled) 2 piece split rim	-	-	○	○
REAR LIGHTS	140 x 55-9 low profile (PPS) pneumatic profiled soft solid puncture proof 2 piece split rim (Reduces platform height from 690mm to 560mm)	-	-	○	-
REAR LIGHTS	LED lights through 7 pin trailer plug includes <ul style="list-style-type: none"> • Stop • Tail • Indicators 	○	○	○	○
MISC	3mm checker plate aluminium platform overlay	○	○	○	○
	Single Jaw rear 25mm pin tow hitch	○	○	○	○

4 WHEEL PLATFORM TRAILER COMPLETE WITH CAGE BODY SINGLE TURNTABLE STEERING



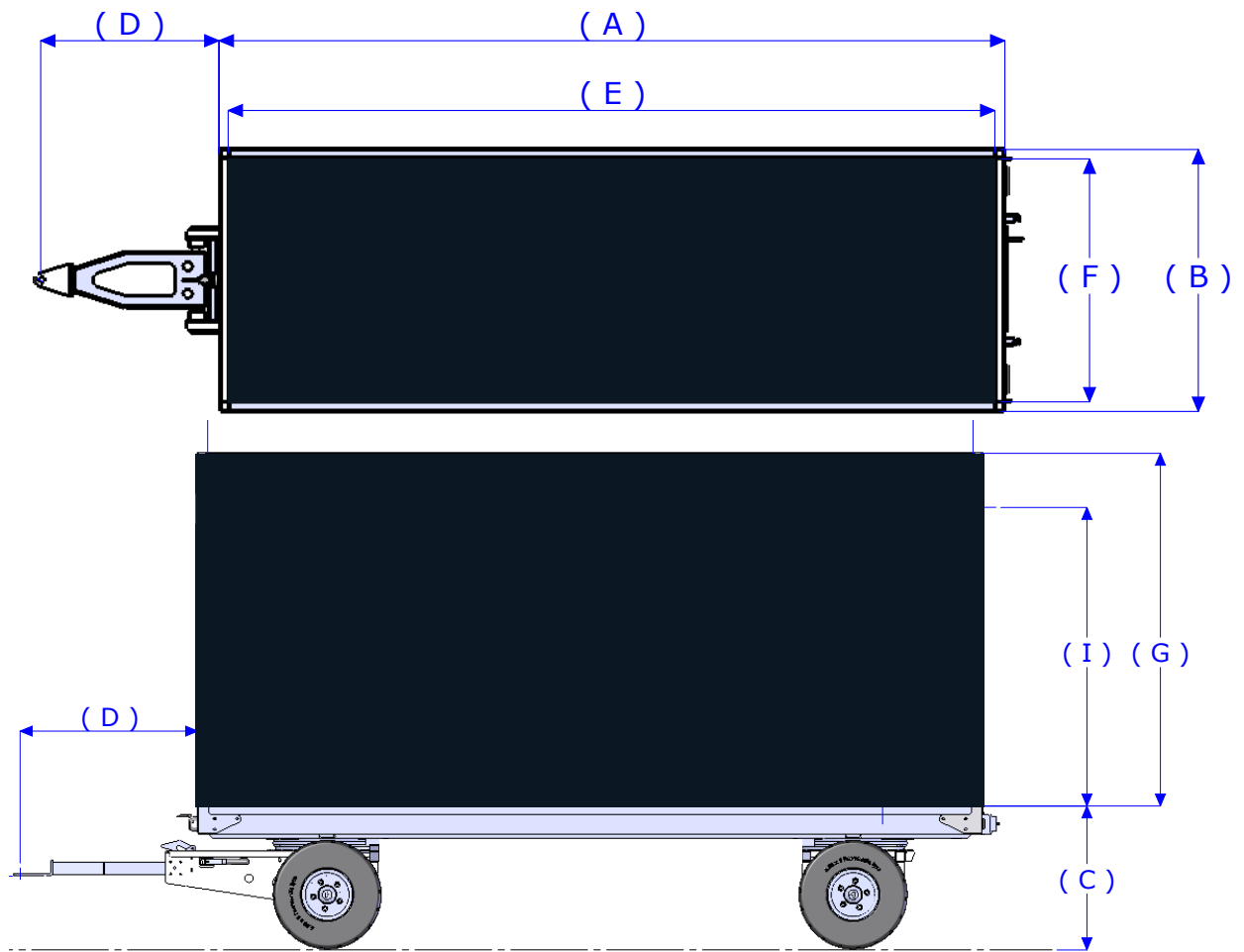
CAPACITY KG	PLATFORM SIZE (A) X (B)	INTERNAL LENGTH (E)	INTERNAL WIDTH (F)	PLATFORM HEIGHT (C)	BODY HEIGHT (G)	FIXED HEIGHT (H)	INTERNAL OPENING (J)	DRAW BAR LENGTH (D)	DRAW BAR LENGTH (WITH OPTIONAL OVERRUN BRAKES) (D)	PRODUCT CODE
1000	1880 x 980	1800mm	900mm	500mm	1200mm	400mm	1000mm	800mm	N/A	4PS1000/1809-03
	2080 x 1080	2000mm	1000mm	500mm	1200mm	400mm	1000mm	800mm	N/A	4PS1000/2010-03
1500	2580 x 1180	2500mm	1100mm	520mm	1200mm	400mm	1250mm	950mm	1100mm	4PS1500/2511-03
	2580 x 1380	2500mm	1300mm	520mm	1200mm	400mm	1250mm	950mm	1100mm	4PS1500/2513-03
	3130 x 1180	3050mm	1100mm	520mm	1200mm	400mm	1250mm	950mm	1100mm	4PS1500/3111-03
	3130 x 1380	3050mm	1300mm	520mm	1200mm	400mm	1250mm	950mm	1100mm	4PS1500/3113-03
3000	3130 x 1180	3050mm	1100mm	690mm*	1200mm	400mm	1500mm	950mm	1100mm	4PS3000/3111-03
	3130 x 1380	3050mm	1300mm	690mm*	1200mm	400mm	1500mm	950mm	1100mm	4PS3000/3113-03
	3280 x 1380	3200mm	1300mm	690mm*	1200mm	400mm	1500mm	950mm	1100mm	4PS3000/3213-03
	3780 x 1380	3700mm	1300mm	690mm*	1200mm	400mm	1500mm	950mm	1100mm	4PS3000/3713-03
5000	3130 x 1380	3050mm	1300mm	750mm	1200mm	400mm	1500mm	950mm	1100mm	4PS5000/3113-03
	3780 x 1380	3700mm	1300mm	750mm	1200mm	400mm	1500mm	950mm	1100mm	4PS5000/3713-03

* Low profile tyre option on 3000kg models reduces platform height to 560mm

STANDARD EQUIPMENT & OPTIONS

CAPACITY		1000	1500	3000	5000
BODY SPECIFICATIONS	Single turntable steering, fixed rear axle	●	●	●	●
	Mild steel box section chassis, frame and cross members	●	●	●	●
	Hot dipped galvanized finish	●	●	●	●
	15mm thick resin coated non-dip buffalo decking board	●	●	●	●
	Cage body, twin rear opening barn doors, dropdown door section to both sides	●	●	●	●
BRAKES	No brakes / unbraked front & rear axle	●	-	-	-
	Hand operated park brake to front axle	○	●	●	●
	Two wheel overrun brake system to front wheels only. Includes <ul style="list-style-type: none"> Hand operated park brake Adjustable sprung draw bar 	-	○	●	●
	Four wheel overrun brake system to both front and rear wheels includes <ul style="list-style-type: none"> Hand operated park brake Adjustable sprung draw bar 	-	○	○	○
DRAW BAR	Hinged A Frame drawbar complete with 30mm towing eye	●	●	●	-
	Hinged A Frame drawbar complete with 50mm towing eye	-	-	○	●
	Hinged A Frame drawbar complete with 50mm ball coupling	○	○	○	-
	Adjustable sprung draw bar. Height can be adjusted to suit auto hitching (Standard when optional overrun braking system is selected)	-	○	●	●
WHEELS & TYRES	4.00 x 8 - 6 ply pneumatic tyres 1 piece rim	●	-	-	-
	4.00 x 8 - 6 ply puncture proof tyres (form filled) 1 piece rim	○	-	-	-
	4.00 x 8 - 10 ply pneumatic tyres 2 piece split rim	-	●	-	-
	4.00 x 8 - 10 ply puncture proof tyres (form filled) 2 piece split rim	-	○	-	-
	6.00 x 9 pneumatic tyres 2 piece split rim	-	-	●	●
	6.00 x 9 puncture proof tyres (foam filled) 2 piece split rim	-	-	○	○
	140 x 55-9 low profile (PPS) pneumatic profiled soft solid puncture proof 2 piece split rim (Reduces platform height from 690mm to 560mm)	-	-	○	-
REAR LIGHTS	LED lights through 7 pin trailer plug includes <ul style="list-style-type: none"> Stop Tail Indicators 	○	○	○	○
MISC	3mm checker plate aluminium platform overlay	○	○	○	○
	Single Jaw rear 25mm pin tow hitch	○	○	○	○

4 WHEEL PLATFORM TRAILER COMPLETE WITH BLACK PVC TILT COVER SINGLE TURNTABLE STEERING



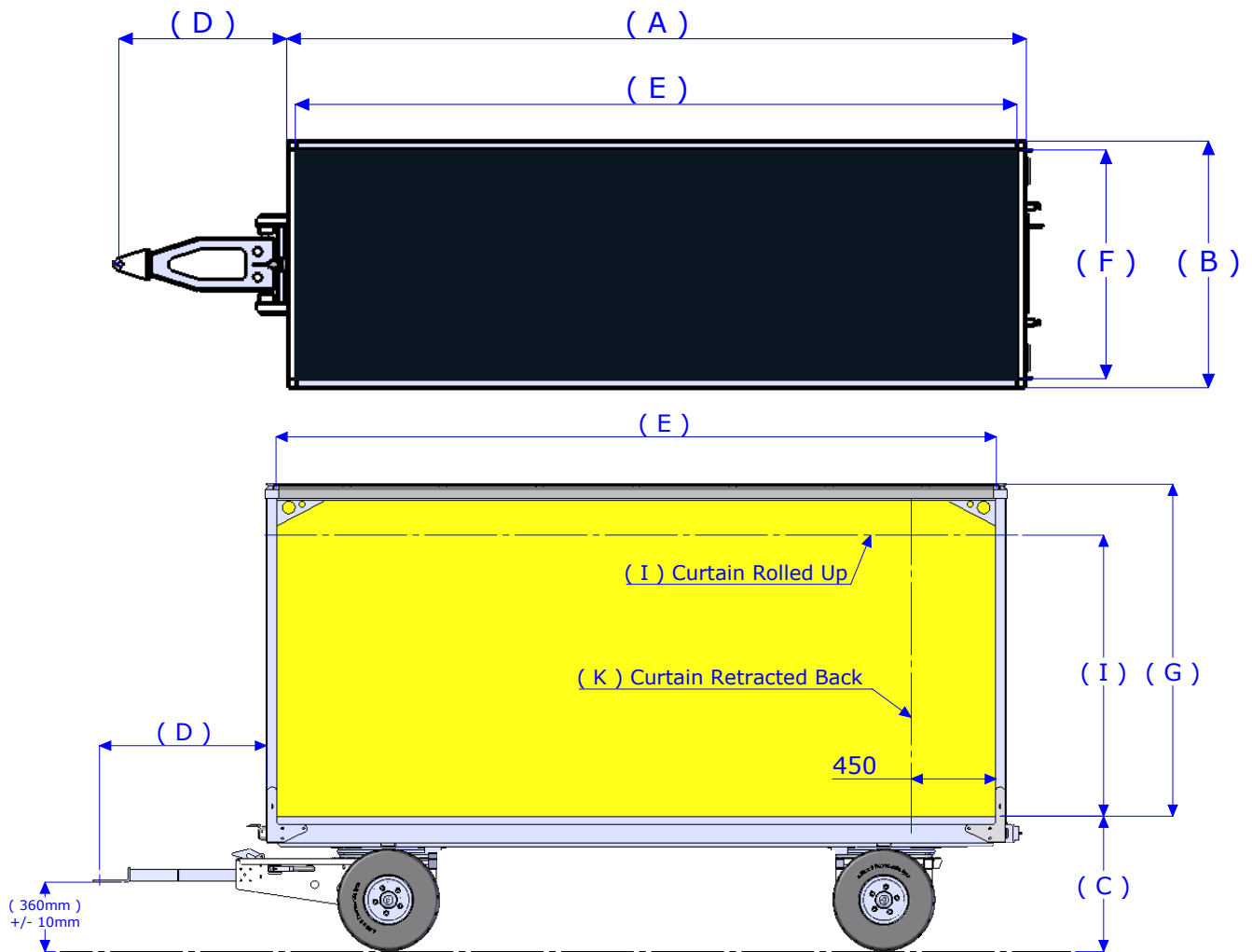
CAPACITY KG	PLATFORM SIZE (A) X (B)	INTERNAL LENGTH (E)	INTERNAL WIDTH (F)	PLATFORM HEIGHT (C)	BODY HEIGHT (G)	DRAW BAR LENGTH (D)	DRAW BAR LENGTH (WITH OPTIONAL OVERRUN BRAKES) (D)	PRODUCT CODE
1000	1880 x 980	1800mm	900mm	500mm	1470mm	800mm	N/A	4PS1000/1809-05
	2080 x 1080	2000mm	1000mm	500mm	1470mm	800mm	N/A	4PS1000/2010-05
1500	2580 x 1180	2500mm	1100mm	520mm	1470mm	950mm	1100mm	4PS1500/2511-05
	2580 x 1380	2500mm	1300mm	520mm	1470mm	950mm	1100mm	4PS1500/2513-05
	3130 x 1180	3050mm	1100mm	520mm	1470mm	950mm	1100mm	4PS1500/3111-05
	3130 x 1380	3050mm	1300mm	520mm	1470mm	950mm	1100mm	4PS1500/3113-05
3000	3130 x 1180	3050mm	1100mm	690mm*	1470mm	950mm	1100mm	4PS3000/3111-05
	3130 x 1380	3050mm	1300mm	690mm*	1470mm	950mm	1100mm	4PS3000/3113-05
	3280 x 1380	3200mm	1300mm	690mm*	1470mm	950mm	1100mm	4PS3000/3213-05
	3780 x 1380	3700mm	1300mm	690mm*	1470mm	950mm	1100mm	4PS3000/3713-05
5000	3130 x 1380	3050mm	1300mm	750mm	1470mm	950mm	1100mm	4PS5000/3113-05
	3780 x 1380	3700mm	1300mm	750mm	1470mm	950mm	1100mm	4PS5000/3713-05

* Low profile tyre option on 3000kg models reduces platform height to 560mm

STANDARD EQUIPMENT & OPTIONS

CAPACITY		1000	1500	3000	5000
BODY SPECIFICATIONS	Single turntable steering, fixed rear axle	●	●	●	●
	Mild steel box section chassis, frame and cross members	●	●	●	●
	Hot dipped galvanized finish	●	●	●	●
	15mm thick resin coated non-dip buffalo decking board	●	●	●	●
	Black PVC cover to roof, front and rear panel over steel inner frame. Roll up panels to both sides. Clear panel to front and rear bulk head to allow through vision	●	●	●	●
	330mm high mesh fixed front and rear bulk head with hinged side panels	○	○	○	○
BRAKES	No brakes / unbraked front & rear axle	●	-	-	-
	Hand operated park brake to front axle	○	●	●	●
	Two wheel overrun brake system to front wheels only. Includes <ul style="list-style-type: none"> Hand operated park brake Adjustable sprung draw bar 	-	○	●	●
	Four wheel overrun brake system to both front and rear wheels includes <ul style="list-style-type: none"> Hand operated park brake Adjustable sprung draw bar 	-	○	○	○
DRAW BAR	Hinged A Frame drawbar complete with 30mm towing eye	●	●	●	-
	Hinged A Frame drawbar complete with 50mm towing eye	-	-	○	●
	Hinged A Frame drawbar complete with 50mm ball coupling	○	○	○	-
	Adjustable sprung draw bar. Height can be adjusted to suit auto hitching (Standard when optional overrun braking system is selected)	-	○	●	●
WHEELS & TYRES	4.00 x 8 - 6 ply pneumatic tyres 1 piece rim	●	-	-	-
	4.00 x 8 - 6 ply puncture proof tyres (form filled) 1 piece rim	○	-	-	-
	4.00 x 8 - 10 ply pneumatic tyres 2 piece split rim	-	●	-	-
	4.00 x 8 - 10 ply puncture proof tyres (form filled) 2 piece split rim	-	○	-	-
	6.00 x 9 pneumatic tyres 2 piece split rim	-	-	●	●
	6.00 x 9 puncture proof tyres (foam filled) 2 piece split rim	-	-	○	○
	140 x 55-9 low profile (PPS) pneumatic profiled soft solid puncture proof 2 piece split rim (Reduces platform height from 690mm to 560mm)	-	-	○	-
REAR LIGHTS	LED lights through 7 pin trailer plug includes <ul style="list-style-type: none"> Stop Tail Indicators 	○	○	○	○
MISC	3mm checker plate aluminium platform overlay	○	○	○	○
	Single Jaw rear 25mm pin tow hitch	○	○	○	○

4 WHEEL PLATFORM TRAILER COMPLETE WITH FIXED GRP BODY, YELLOW PVC SLIDING CURTAINS TO BOTH SIDES. SINGLE TURNTABLE STEERING



CAPACITY KG	PLATFORM SIZE (A) X (B)	INTERNAL LENGTH (E)	INTERNAL WIDTH (F)	PLATFORM HEIGHT (C)	BODY HEIGHT (G)	INTERNAL APERTURE HEIGHT (I)	INTERNAL APERTURE WIDTH (K)	DRAW BAR LENGTH (D)	DRAW BAR LENGTH (WITH OPTIONAL OVERRUN BRAKES) (D)	PRODUCT CODE
1500	2580 x 1180	2500mm	1100mm	520mm	1470mm	1200mm	2000mm	950mm	1100mm	4PS1500-2511-06
	2580 x 1380	2500mm	1300mm	520mm	1470mm	1200mm	2000mm	950mm	1100mm	4PS1500-2513-06
	3130 x 1180	3050mm	1100mm	520mm	1470mm	1200mm	2500mm	950mm	1100mm	4PS1500-3111-06
	3130 x 1380	3050mm	1300mm	520mm	1470mm	1200mm	2500mm	950mm	1100mm	4PS1500-3113-06
3000	3130 x 1180	3050mm	1100mm	690mm*	1470mm	1200mm	2500mm	950mm	1100mm	4PS3000-3111-06
	3130 x 1380	3050mm	1300mm	690mm*	1470mm	1200mm	2500mm	950mm	1100mm	4PS3000-3113-06
	3280 x 1380	3200mm	1300mm	690mm*	1470mm	1200mm	2650mm	950mm	1100mm	4PS3000-3213-06
	3780 x 1380	3700mm	1300mm	690mm*	1470mm	1200mm	3100mm	950mm	1100mm	4PS3000-3713-06
5000	3130 x 1380	3050mm	1300mm	700mm	1470mm	1200mm	2500mm	950mm	1100mm	4PS5000-3113-06
	3780 x 1380	3700mm	1300mm	700mm	1470mm	1200mm	3100mm	950mm	1100mm	4PS5000-3713-06

* Low profile tyre option on 3000kg models reduces platform height to 560mm

STANDARD EQUIPMENT & OPTIONS

CAPACITY		1500	3000	5000
BODY SPECIFICATIONS	Single turntable steering, fixed rear axle	•	•	•
	Mild steel box section chassis, frame and cross members	•	•	•
	Hot dipped galvanized finish	•	•	•
	15mm thick resin coated non-dip buffalo decking board	•	•	•
	Fixed body, solid roof and front and rear bulkheads, both fitted with clear panel to allow through vision. Yellow PVC sliding curtains to both sides.	•	•	•
	330mm high mesh fixed front and rear bulk head with hinged side panels	○	○	○
BRAKES	No brakes / unbraked front & rear axle	-	-	-
	Hand operated park brake to front axle	•	•	•
	Two wheel overrun brake system to front wheels only. Includes <ul style="list-style-type: none"> • Hand operated park brake • Adjustable sprung draw bar 	○	•	•
	Four wheel overrun brake system to both front and rear wheels includes <ul style="list-style-type: none"> • Hand operated park brake • Adjustable sprung draw bar 	○	○	○
DRAW BAR	Hinged A Frame drawbar complete with 30mm towing eye	•	•	-
	Hinged A Frame drawbar complete with 50mm towing eye	-	○	•
	Hinged A Frame drawbar complete with 50mm ball coupling	○	○	-
	Adjustable sprung draw bar. Height can be adjusted to suit auto hitching (Standard when optional overrun braking system is selected)	○	•	•
WHEELS & TYRES	4.00 x 8 - 6 ply pneumatic tyres 1 piece rim	-	-	-
	4.00 x 8 - 6 ply puncture proof tyres (form filled) 1 piece rim	-	-	-
	4.00 x 8 - 10 ply pneumatic tyres 2 piece split rim	•	-	-
	4.00 x 8 - 10 ply puncture proof tyres (form filled) 2 piece split rim	○	-	-
	6.00 x 9 pneumatic tyres 2 piece split rim	-	•	•
	6.00 x 9 puncture proof tyres (foam filled) 2 piece split rim	-	○	○
	140 x 55-9 low profile (PPS) pneumatic profiled soft solid puncture proof 2 piece split rim (Reduces platform height from 690mm to 560mm)	-	○	-
REAR LIGHTS	LED lights through 7 pin trailer plug includes <ul style="list-style-type: none"> • Stop • Tail • Indicators 	○	○	○
MISC	3mm checker plate aluminium platform overlay	○	○	○
	Single Jaw rear 25mm pin tow hitch	○	○	○



BRADSHAW ELECTRIC VEHICLES

New Lane

Stibbington

Peterborough

PE8 6LW

enquiries@bradshawev.com

www.bradshawEV.com

01780 782 621

All data and specifications are in accordance with information available at the time of publication and are subject to change without notice.

Some of the vehicles shown are may be fitted with optional equipment or accessories that are available at extra cost.

This brochure supersedes all previous publications.
Issue: September 2020

BRADSHAW
ELECTRIC • VEHICLES