



BIN TRAILERS

Four x 1100 litre bin

Six x 1100 litre bin

FOUR AND SIX BIN TRAILER - SITE USE ONLY (NOT CERTIFIED FOR ROAD USE)

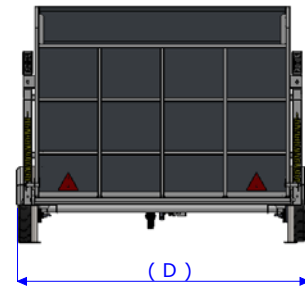
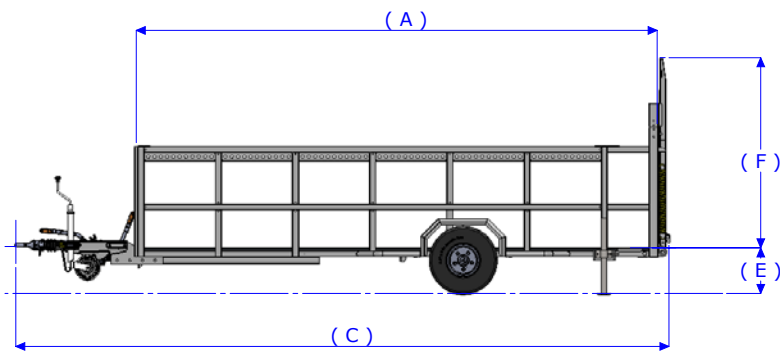
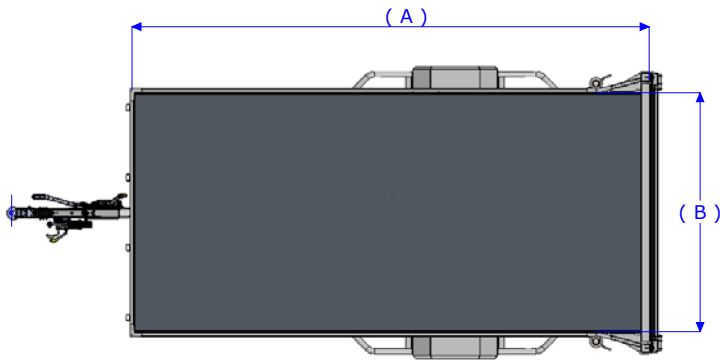
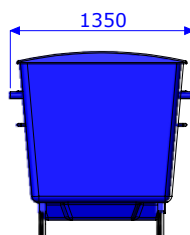
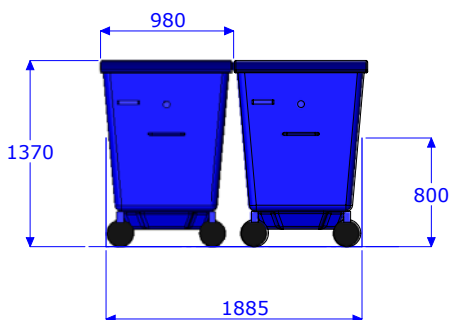


Image shows optional overrun and park brakes

BINS	CAPACITY	INTERNAL LENGTH (A)	INTERNAL WIDTH (B)	EXTERNAL LENGTH (C)	EXTERNAL WIDTH (D)	HEIGHT (E)	RAMP LENGTH (F)	OVERALL HEIGHT (E) + (F)	PRODUCT CODE
4 BIN	2000kg	3025mm	1885mm	4125mm	2320mm	360mm 440mm*	1500mm 1850mm*	1860mm 2290mm*	4BS2000/3018
6 BIN	2000kg	4085mm	1885mm	5185mm	2320mm	360mm 440mm*	1500mm 1850mm*	1860mm 2290mm*	6BS2000/4118

* Suspension increases bed and rear tail gate height



Reference 1: Trailer designed to accept bin sizes as shown above. As bin size can vary it is recommend that dimensions are checked.

STANDARD EQUIPMENT & OPTIONS

	CAPACITY	4 BIN	6 BIN
BODY SPECIFICATIONS	Bin sizes Trailer designed to accept bin sizes and shown in diagram Ref.1. As bin size can vary it is recommend that dimensions are checked.	4 x 1100L bins	6 x 1100L bins
	Mild steel box section chassis, frame and cross members	•	•
	Hot dipped galvanized finish	•	•
	15mm thick resin coated non-dip buffalo decking board	•	•
	3mm thick aluminium five bar pattern tread plate cover	•	•
ENCLOSURE	Welded mild steel skeletal frame at front and sides	•	•
	800mm high from top of platform	•	•
	Tapered entry / exit section at rear	•	•
	Full length 'Loadlok' tracks both sides. One retaining pole included	•	•
TAILGATE & LOADING RAMP	Full width of chassis bed	•	•
	1500mm long ramp	•	•
	10° load angle	•	•
	2 x sliding Prop stands at rear	•	•
	5mm thick aluminium five bar pattern tread plate cover	•	•
	Spring assisted	•	•
	Secured in closed position with lynch pins tethered to enclosure	•	•
	Triangular trailer reflectors in each corner of ramp	•	•
AXLES & BRAKES	Single axle positioned to give 20 Kg nose weight (when unladen)	•	•
	Braked single beam axle complete with both hand operated park and operational overrun brakes	•	•
SUSPENSION	No suspension, solid fixed beam axle	•	•
	Rubber beam suspension axle Comes complete with both hand operated park and operational overrun brakes Increases bed height by 80mm to 440mm Increases rear tail gate by 350mm to 1850mm	○	○
WHEELS & TYRES	600 x 90 pneumatic wheel & tyre mounted outboard of platform	•	•
	600 x 90 pneumatic puncture proof (foam filled) wheel & tyre mounted outboard of platform	○	○
	Steel mudguards with protection frame in front and behind	•	•
COUPLING	Rigid single piece drawbar please select tow coupling from below	•	•
	30mm towing eye	○	○
	40mm towing eye	○	○
	50mm towing eye	○	○
	50mm ball hitch	○	○
	Heavy duty jockey wheel	•	•
LIGHTING	No lighting	•	•
	LED lights including stop, tail, indicators via 7 pin plug (trailer not certified for road use)	○	○
	Number plate light fitted to rear tailgate (trailer not certified for road use)	○	○
MISC	Orange side reflectors White and red reflectors fitted to front and rear of mudguards	○	○
	Additional shoring pole fitted	○	○



BRADSHAW ELECTRIC VEHICLES

New Lane

Stibbington

Peterborough

PE8 6LW

enquiries@bradshawev.com

www.bradshawEV.com

01780 782 621

All data and specifications are in accordance with information available at the time of publication and are subject to change without notice.

Some of the vehicles shown are may be fitted with optional equipment or accessories that are available at extra cost.

This brochure supersedes all previous publications.
Issue: September 2020

BRADSHAW
ELECTRIC • VEHICLES